

**Screen Systems
(Wireworkers) Ltd**

SCREENTEX

THE VERSATILE, LONG TERM SOLUTION

WEDGE WIRE RUN DOWN SCREENS



The Screen Systems range of **Screeentex** run down screens offer a high capacity, cost effective, highly efficient method of solids/liquids separation utilising stainless steel wedge wire as the screening medium.

DESIGN

Each unit is designed to suit the specific requirements of the customer and application to enable a relatively low cost solution for separating solids and liquids.

Consisting of a basic outer casing, which can be manufactured in mild steel or stainless steel, each unit incorporates a distribution chamber and feed weir, over which the effluent passes onto the wedge wire panel which is set at right angles to the material flow to enable the separating process to commence.

The separated solids collect on the lower half of the screen to drain and compact. They then slide by gravity onto a solids discharge chute.

The extracted liquid passes through the wedge wire into an underflow collecting chamber, with a disposal outlet for either re-circulation or discharge.

EFFICIENCY

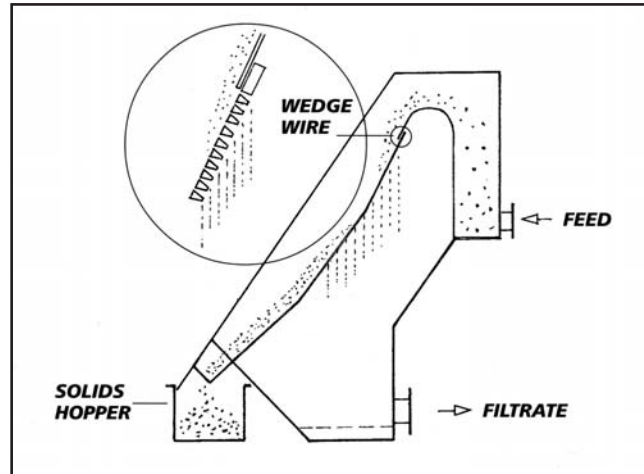
Being free standing, having no moving parts and being virtually maintenance free the **Screeentex** run down screens with their easily reversible three stage screen panels for longer screen life offer increased dewatering efficiencies over other similar curved screening elements.

TECHNICAL DATA

Screenrun down screens are designed and manufactured in a combination of four standard unit heights, with widths ranging from 500mm to 3000mm, dependant on the application and capacities required to be screened. High capacities utilise purpose designed multiple units.

A test unit is available for field trials at the customers site.

For further information please contact the sales office at the number shown below.



The following table offers as a guide a range of capacities for the Screenrun down screens based on capacities per metre width.

	<u>SX850</u>	<u>SX1000</u>	<u>SX1800</u>	<u>SX2000</u>
APERTURE mm	CAPACITY M ³ /Hr/M	CAPACITY M ³ /Hr/M	CAPACITY M ³ /Hr/M	CAPACITY M ³ /Hr/M
0.25	5.00	9.00	11.00	14.00
0.50	9.00	16.00	22.00	28.00
0.75	21.00	35.00	37.00	47.00
1.00	28.00	47.00	56.00	70.00
1.50	42.00	70.00	94.00	117.00
2.00	56.00	94.00	113.00	141.00
3.00	70.00	117.00	150.00	184.00
4.00	108.00	181.00	232.00	265.00

1 Cubic Metre = 220 gallons (approx)

1 Gallon = 0.00454 cubic metres (approx)

TYPICAL APPLICATIONS

- Food processing
- Sewage & Water Treatment
- Brewing, Distilling, Malting
- Paper Processing
- Chemicals
- Plastics
- Wood processing
- Mineral Processing
- Textile Finishing
- Abattoirs
- Tanneries
- Agricultural
- Poultry
- Vegetable Processing



Screen Systems (Wireworkers) Ltd

Haydock Lane Industrial Estate, Haydock Lane, Haydock, Merseyside WA11 9UW, England.

Tel: +44 (0)1942 272895 Fax: +44 (0)1942 274257 Web: www.screensystems.com Email: info@screensystems.com